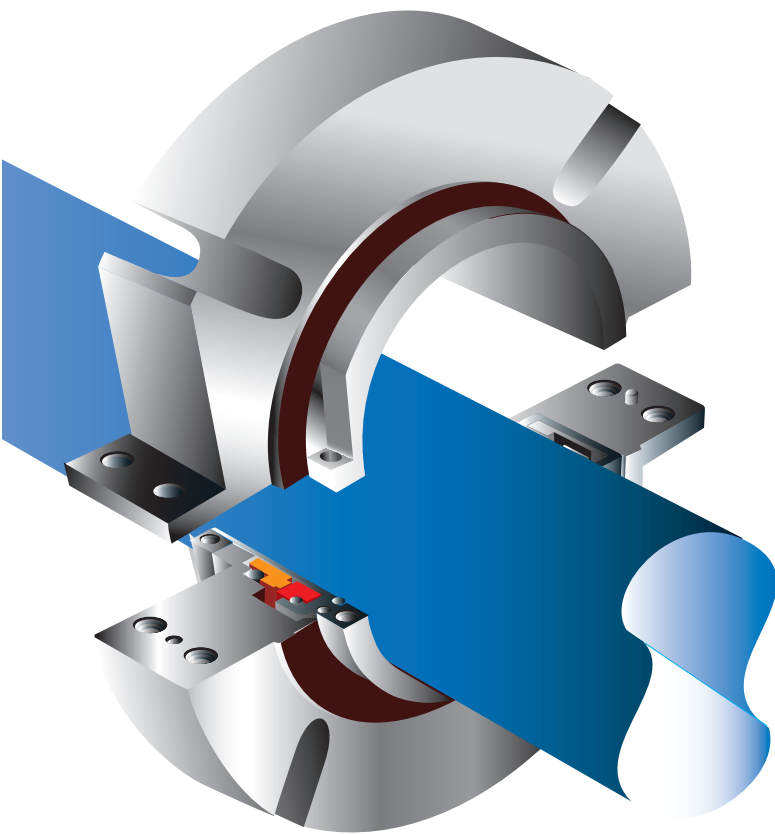




Style 85

World's Only Split Cartridge Seal

(US PATENT NO. 5662340)



REPUESTOS AUTO INDUSTRIALES, S.A. DE C.V.
ALLENDE # 117 COL. EMILIANO ZAPATA
MONTERREY, N.L. C.P. 64390
TEL. (81) 8371 3177
RFC: RAI 830909 4N2
web site: www.raisamex.net

for difficult installations





Flex -A-Seal developed the Style 85 Split Cartridge Seal to provide the easiest installation found anywhere in the world. After simply attaching two halves over the shaft, the seal

- No Measurements**
- No Shims**
- No Special Tools**
- No Glue**

mounts to the equipment like any other cartridge seal. It does not get any easier than that! The Style 85 is the only split seal in the world in which

just two pieces are handled, eliminating the need to touch sensitive lapped faces. Both sealing faces are secured safely in cartridge halves and cannot be cocked, chipped or scarred.

The design of the Style 85 is like no other split seal on the market. While most split seals are mounted outside the stuffing box and designed to function like an outside seal, the



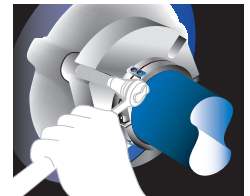
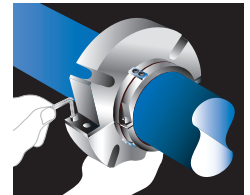
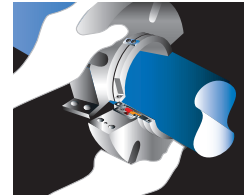
Style 85 was engineered as a split, internal, hydraulically balanced, stationary seal, mounted outside the stuffing box. These features allow the

centrifugal force to keep the solids away from the seal faces while maintaining the ability to handle higher speeds, internal pressures and misalignment. No need to worry about solids, as the springs are protected and out of the product to eliminate clogging. The static shaft sleeve "o" ring is positioned outside of the stuffing box to assure a good sealing surface, even on worn packing sleeves!

Peace of Mind

Unlike most cartridge seals on the market, the Style 85 is the only split cartridge seal that can be fully assembled and pressure tested at the factory. This ensures the sealing integrity of each seal completely before it is sent to the field.

The Flex-A-Seal Style 85 Split Cartridge Seal ...Fast, Simple and Reliable!



Materials of Construction

Stationary Gland Assembly	316 Stainless Steel
Rotating Sleeve Assembly	316 Stainless Steel
O Rings, Gaskets	Viton (standard) consult factory for AFLAS® or Fluoraz® option
Rotating Face	Silicon Carbide
Stationary Face	Carbon or Silicon Carbide
Springs	Hastelloy C®
Screws	316 Stainless Steel

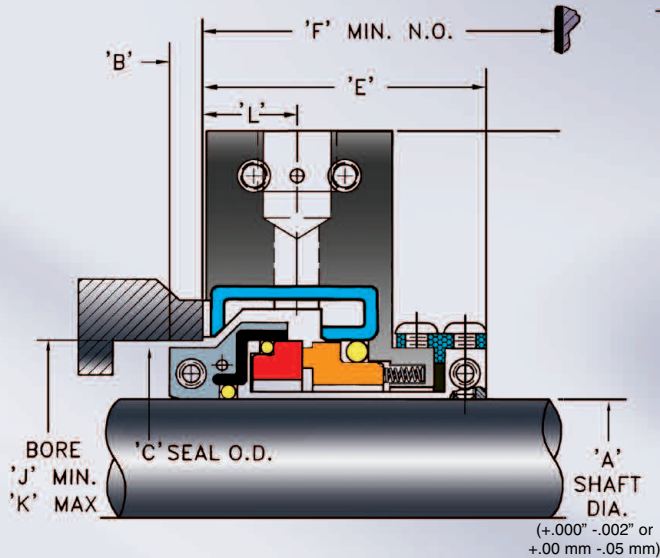
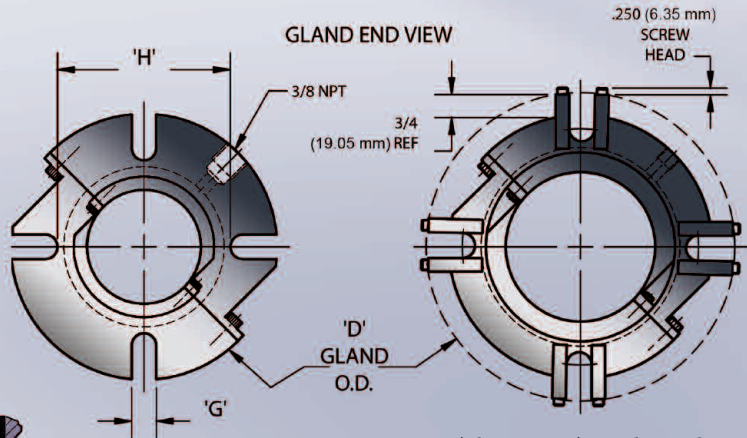
Registered Trademarks:

- Viton® - Dupont Performance Elastomers
- Aflas® - Asahi Glass Co.
- Fluoraz® - Green Tweed
- Hastelloy C® - Cabot Stellite Division

Operating Conditions

Seal Size	Temp.	Speed	Pressure
1 3/4" - 3" (45mm - 75mm)	350°F (175°C)	3600 RPM	250 PSI (17 bar)
3 1/8" - 3 3/4" (80mm - 95mm)	350°F (175°C)	1800 RPM	200 PSI (14 bar)
3 7/8" - 4 3/4" (100mm - 120mm)	350°F (175°C)	800 RPM	150 PSI (10 bar)
5" and above (125mm and above)	350°F (175°C)	875 RPM	100 PSI (7 bar)

* Maximum temperature / pressure / speed indicates operating extremes independently and does not imply the seal will function at these extremes at the same time. Contact Flex-A-Seal Engineering if in doubt.



with extension slot tabs

IMPERIAL (All sizes in inches)

Size	A	B	C	D	E	F	G	H	J	K	L
-24	1.500	.250	2.187	5.25	2.125	2.500	.562	3.125	2.250	2.625	.656
-27	1.687	.250	2.437	5.50	2.125	2.500	.562	3.375	2.500	2.875	.656
-28	1.750	.250	2.437	5.50	2.125	2.500	.562	3.375	2.500	2.875	.656
-30	1.875	.250	2.562	5.50	2.125	2.500	.562	3.344	2.625	3.000	.656
-31	1.937	.250	2.625	5.44	2.125	2.500	.562	3.563	2.687	3.125	.656
-32	2.000	.250	2.687	5.44	2.125	2.500	.562	3.563	2.750	3.125	.656
-34	2.125	.250	2.812	6.00	2.125	2.500	.687	3.688	2.875	3.375	.656
-35	2.188	.250	2.937	6.25	2.125	2.500	.687	3.813	3.000	3.375	.656
-36	2.250	.250	3.062	6.25	2.125	2.500	.687	3.937	3.125	3.500	.656
-38	2.375	.250	3.187	6.25	2.125	2.500	.687	4.062	3.250	3.500	.656
-39	2.438	.250	3.312	6.44	2.125	2.500	.687	4.125	3.375	3.625	.656
-40	2.500	.250	3.312	6.44	2.125	2.500	.687	4.125	3.375	3.625	.656
-42	2.625	.250	3.347	6.44	2.125	2.500	.687	4.438	3.500	3.875	.656
-43	2.688	.250	3.562	7.82	2.125	2.500	.687	4.438	3.625	4.125	.656
-44	2.750	.250	3.562	7.82	2.125	2.500	.687	4.438	3.625	4.125	.656
-46	2.875	.250	3.687	7.82	2.125	2.500	.687	4.812	3.812	4.250	.656
-47	2.938	.250	3.812	7.88	2.125	2.500	.687	4.938	3.937	4.375	.656
-48	3.000	.250	3.812	7.88	2.125	2.500	.687	4.938	3.937	4.375	.656
-52	3.250	.281	4.188	8.25	2.437	2.812	.812	5.188	4.250	4.750	.812
-54	3.375	.281	4.312	8.25	2.437	2.812	.812	5.313	4.375	4.875	.812
-55	3.438	.281	4.437	8.50	2.437	2.812	.812	5.437	4.500	5.000	.812
-56	3.500	.281	4.437	8.50	2.437	2.812	.812	5.437	4.500	5.000	.812
-58	3.625	.281	4.562	8.63	2.437	2.812	.812	5.562	4.625	5.125	.812
-60	3.750	.281	4.625	8.82	2.437	2.812	.812	5.688	4.687	5.125	.812
-62	3.875	.281	4.812	8.82	2.437	2.812	.812	5.813	4.875	5.250	.812
-64	4.000	.281	4.937	8.82	2.437	2.812	.812	5.813	5.000	5.375	.812
-68	4.250	.281	5.188	9.25	2.437	2.812	.812	6.063	5.250	5.750	.812
-70	4.375	.281	5.312	9.25	2.437	2.812	.812	6.437	5.375	5.875	.812
-72	4.500	.281	5.406	9.69	2.437	2.812	.812	6.500	5.500	6.000	.812
-76	4.750	.281	5.656	9.75	2.437	2.812	.812	6.938	5.750	6.250	.812
-79	4.938	.375	6.188	10.75*	3.062	3.812	.937	7.312	6.312	6.750	.923
-80	5.000	.375	6.188	10.75*	3.062	3.812	.937	7.312	6.312	6.750	.923
-82	5.125	.375	6.375	11.00*	3.062	3.812	.937	7.812	6.500	7.250	.923
-84	5.250	.375	6.375	11.00*	3.062	3.812	.937	7.812	6.500	7.250	.923
-88	5.500	.375	6.688	11.50*	3.062	3.812	.937	7.813	6.812	7.375	.923
-92	5.750	.375	6.938	12.00*	3.062	3.812	.937	8.156	7.062	7.625	.923
-100	6.250	.375	7.438	12.50*	3.062	3.812	.937	8.656	7.562	8.125	.923
-104	6.500	.375	7.688	12.25*	3.062	3.812	.937	8.813	7.812	8.375	.923
-108	6.750	.375	7.938	12.50*	3.250	4.000	.937	9.312	8.062	8.625	.923
-112	7.000	.375	8.188	12.75*	3.250	4.000	.937	9.562	8.312	8.750	.923
-136	8.500	.375	9.688	14.25	3.250	4.000	1.000	11.000	9.812	10.250	.923

METRIC (All sizes in mm)

Size	A	B	C	D	E	F	G	H	J	K	L
-30	45	6.35	65.1	140	54	64	14.3	84.9	66.68	76.20	16.7
-32	48	6.35	68.2	140	54	64	14.3	90.5	68.85	79.38	16.7
-32	50	6.35	68.2	140	54	64	14.3	90.5	68.85	79.38	16.7
-36	55	6.35	77.8	159	54	64	17.4	100.0	79.40	88.90	16.7
-40	60	6.35	84.1	165	54	64	17.4	104.8	85.73	95.25	16.7
-42	65	6.35	85.0	165	54	64	17.4	112.8	88.90	98.40	16.7
-44	70	6.35	90.5	197	54	64	17.4	112.8	92.08	104.77	16.7
-48	75	6.35	96.8	203	54	64	17.4	125.4	100.00	111.10	16.7
-52	80	7.14	106.4	210	62	72	20.6	131.8	108.00	120.65	20.6
-56	87	7.14	112.7	216	62	72	20.6	138.1	114.30	127.00	20.6
-58	90	7.14	115.9	219	62	72	20.6	141.3	117.50	130.20	20.6
-60	95	7.14	117.5	222	62	72	20.6	144.5	119.05	130.18	20.6
-64	100	7.14	125.4	224	62	72	20.6	147.6	127.00	136.52	20.6
-76	120	7.14	143.7	248	62	72	20.6	176.2	146.05	158.75	20.6
-80	125	9.50	157.2	273*	77.8	96.8	23.8	185.7	160.30	171.40	23.4

* Sizes use extension slot tabs

Additional sizes available upon request

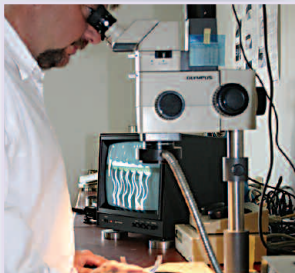
Fast, Simple and Reliable

Split seals are designed for environments where conventional seals routinely take many hours to disassemble and reassemble rotary equipment, but the fully split cartridge seal design of the Flex-A-Seal Style 85 is easier to install than conventional seals and other component split seal designs, making this seal ideal for hard to access equipment such as:

- Pumps
- Mixers
- Agitators

The Style 85 is commonly used in many industries:

- Chemical Processing
- Food Processing
- Industrial
- Mining
- Pharmaceutical
- Power Generation
- Petrochemical
- Pulp and Paper
- Refining
- Water and Waste Treatment



Manufacturing and stocking centers

USA

1 Jackson Street PO Box 184
Essex Junction, VT 05453-0184 USA
Phone: 1-800-426-3594 • 1-802-878-8307
Fax: 1-802-878-2479
Email: sales@flexaseal.com

BRAZIL

Rua Visconde De Taunay
59 Loja 06-CEP
Bom Retiro, Sao Paulo
Brazil CEP 01132-000
Phone: 55-11-3115-4819 • 55-11-3115-0656
Fax: 55-11-3101-1297
Email: vendas@flexaseal.com.br

AUSTRALIA

Unit 9/23 Richland Avenue
Coopers Plains 4108 QLD Australia
Phone: (07) 3272 7030
Fax: (07) 3272 9885 Mob: 0417 626025
Email: flexasealoz@bigpond.com

DISTRIBUTED BY:

REPUESTOS AUTO INDUSTRIALES, S.A. DE C.V.
ALLENDE # 117 COL. EMILIANO ZAPATA
MONTERREY, N.L. C.P. 64390
TEL (81) 8371 3177
RFC: RAI 830909 4N2
web site: www.raisamex.net

